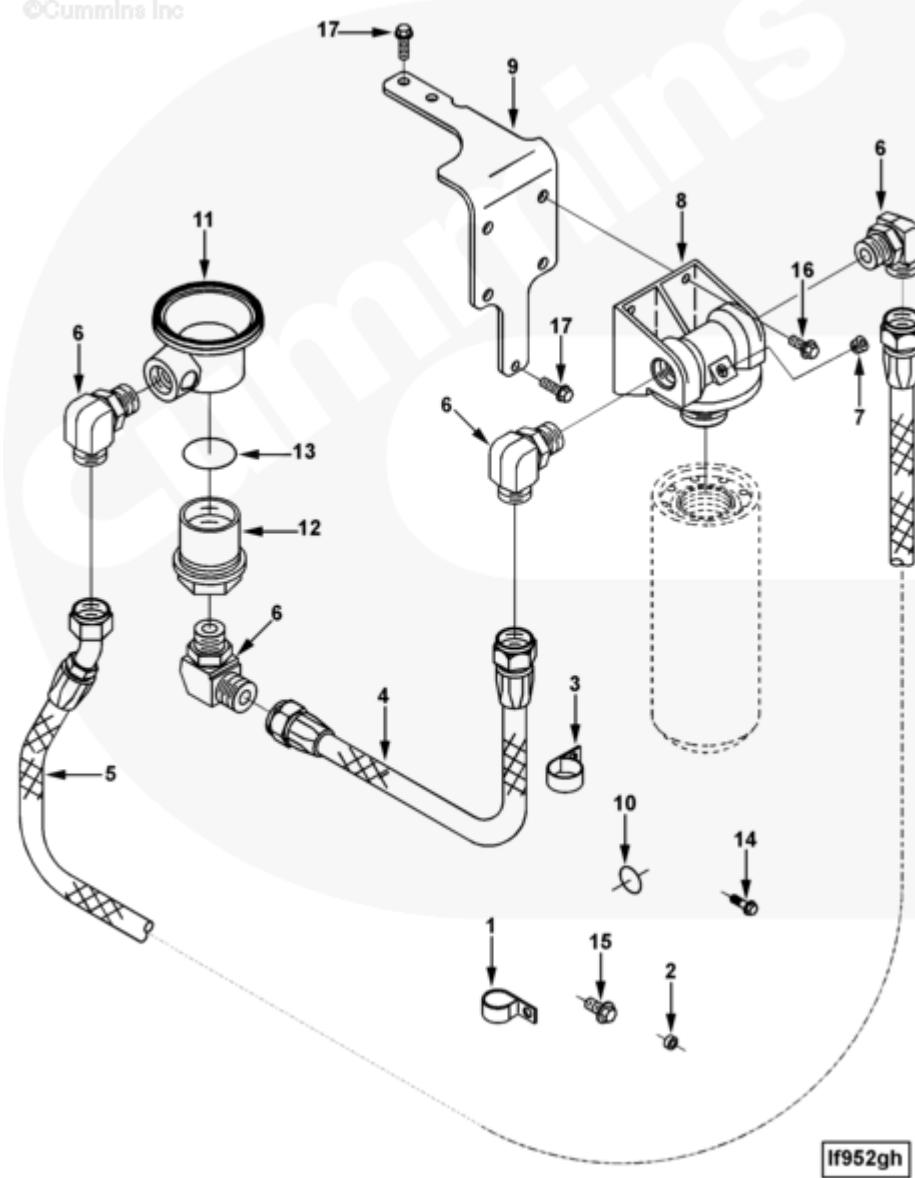




Parts Catalog - Option Detail

Electronic Parts Catalog - Option Detail				
Option	Group	Graphic	Film Card	Date
LF9056-04	07.03	If952gh	Z	10-DEC-01
Engines	6C8.3, C GAS PLUS CM556, G8.3, G8.3 CM558, GTA8.3 CM558, ISC CM2150, ISC CM554, ISC CM850, ISC8.3 CM2250, ISC8.3 G CM2180 C101, ISL CM2150, ISL CM554, ISL CM850, ISL G CM2180, ISL8.9 CM2150 L110, ISL8.9 CM2880 L112, ISL9 CM2150 SN, ISL9 CM2250, ISL9 CM2350 L101, ISL9 CM2350 L111, ISLE4 CM850, L GAS PLUS CM556, L8.9, L8.9 L121, L8.9G CMOH2.0 L125B, L9 CM2350 L116B, L9 CM2350 L119B, L9 CM2350 L120C, L9 CM2350 L123B, L9.3 L105, L9.5 L117, L9N CM2380 L124B, QSC8.3 CM2250, QSC8.3 CM2880 C102, QSC8.3 CM554, QSC8.3 CM850(CM2850), QSL9 CM2250, QSL9 CM2250 L115, QSL9 CM2350 L102, QSL9 CM2350 L107, QSL9 CM2350 L118, QSL9 CM2350 L122, QSL9 CM554, QSL9 CM850(CM2850), QSL9 G CM558, QSL9 M CM2250 L106, QSL9.3 CM2880 L113			



If952gh

Cart	Ref No	Part Number	Part Description	Required	Remarks
View My Cart					
		LF9056-04	Full Flow Oil Filter		
					Remote mounted lube filter,
					mounted at the front of the
					engine on the fuel pump side.
<input type="checkbox"/>	1	67950	Clip	2	# 16
<input type="checkbox"/>	2	114850	Mounting Spacer	1	
<input type="checkbox"/>	3	68189	Clip	1	
<input type="checkbox"/>	4	4078926	Flexible Hose	1	
<input type="checkbox"/>	5	4078927	Flexible Hose	1	
<input type="checkbox"/>	6	3393258	Male Adapter Elbow	4	
<input type="checkbox"/>	7	3013786	Pipe Plug	1	3/8 NPT.
<input type="checkbox"/>	8	3834123	Lubricating Oil Filter Head	1	C. Filtration P/N 383412300S
<input type="checkbox"/>	9	3393946	Filter Bracket	1	
<input type="checkbox"/>	10	3899283	O-Ring Seal	1	
<input type="checkbox"/>	11	3899624	Filter Head Cover	1	
<input type="checkbox"/>	12	3899625	Filter Head Adapter	1	
<input type="checkbox"/>	13	3899728	O-Ring Seal	1	
<input type="checkbox"/>	14	3900631	Hexagon Flange Head Cap Screw	1	M8 X 1.25 X 25.
<input type="checkbox"/>	15	3901249	Hexagon Flange Head Cap Screw	1	M12 X 1.75 X 25.
<input type="checkbox"/>	16	3902460	Hexagon Flange Head Cap Screw	6	M10 X 1.50 X 25.
<input type="checkbox"/>	17	3903112	Hexagon Flange Head Cap Screw	1	M10 X 1.50 X 30.